



Cassette Roller Shade Installation Instructions

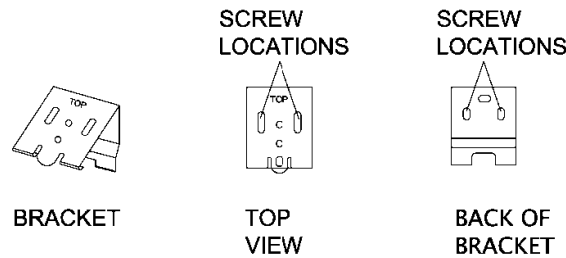
DO NOT TURN THE ROLLER SHADE UPSIDE DOWN THIS WILL CAUSE THE SHADE TO MALFUNCTION

NEEDED

Ladder of appropriate height for your windows

Drill and appropriate bits

Shade packaging which includes the shade, screws, brackets and bead chain hold down



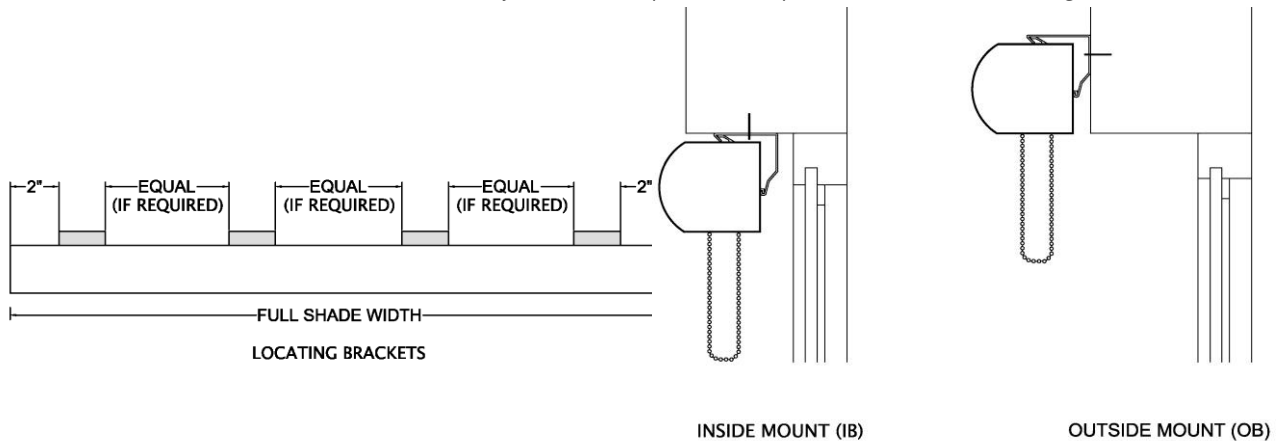
INSTALLING THE BRACKETS

For Inside Mount (IB) place the side that says "TOP" to the window head. Secure into place using two (2) screws per bracket.

For Outside Mount (OB) with the side that says "TOP" still facing up, place the back of the bracket to the wall. Secure into place using two (2) screws per bracket.

The brackets should be two (2") inches from the final width of the roller shade.

If there are more than 2 brackets they should be spaced at equal intervals over the length of the shade.



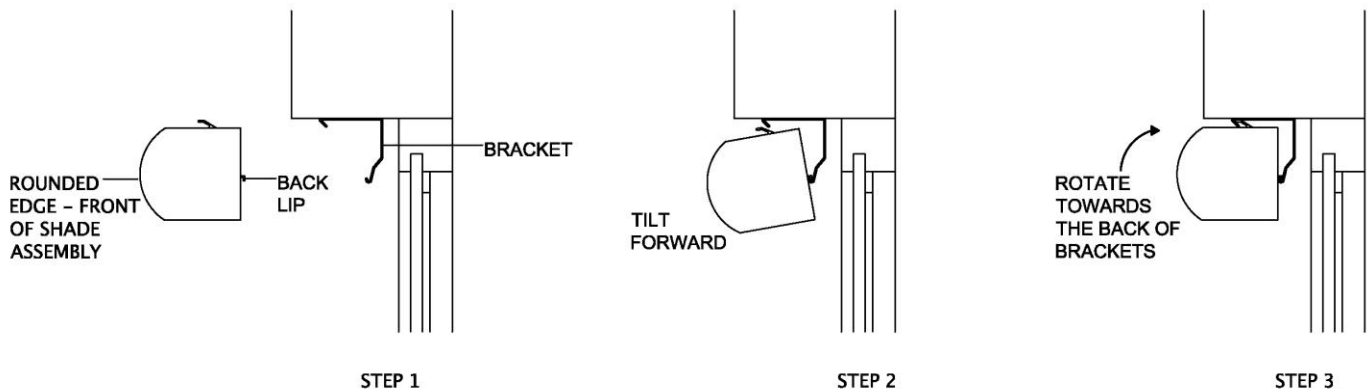
SECURING THE CASSETTE IN THE BRACKETS

Step 1: The front of the shade is rounded. This side will be facing the interior of your room. From the front of the assembly, identify the back lip of the Cassette housing.

Step 2: While holding the Cassette, tilt the shade so the back lip of the assembly is slightly above the bracket clips. You should feel the cassette fit into place on the back lip.

Step 3: Once aligned in this position, tilt the Cassette assembly backward toward the window glass (back of the brackets). Working left to right, pressing firmly snap the Cassette into one bracket at a time. You should feel a change once they are in the brackets properly.

The Cassette assembly lip should snap tight as the cassette is secured into the brackets.



SECURING THE BEAD CHAIN HOLD DOWN

Step 1: Pull the bead chain and hold down assembly tight straight down from the roller shade. DO NOT REMOVE THE CENTER METAL PIECE IN THE HOLE WITH THE BEAD CHAIN.

Step 2: Move up the hold down approximately 1/2", to allow slack in the bead chain. Using a pencil, mark on the wall, the screw hole locations.

Step 3: Using an appropriate size drill bit, drill holes at marked locations. Using a hammer, gently tap wall anchors into holes.

Step 4: Secure the bead chain hold down assembly with the screws.

Step 5: Once the bead chain hold down assembly has been secured, remove the center metal piece.

